

Installation Guide

ViTEZ Model: P2STK7K-BD

Instructions:

1. Turn off ECR's power (Remove AC power cord is recommended).
2. Remove ECR's top cover.
3. Remove ECR's FFC printer cable from the main board.
4. Connect ViTEZ's FFC cable, which is attached together with terminal board, to the ECR's printer connector (Fig 1).

CAUTION: *Wrong connection may cause your ECR to malfunction !*

5. Plug in ECR's FFC cable to ViTEZ's connector (Fig 1).
6. Plug in MTA connectors to P2STK7K board (Fig 2).
7. Connect D-SUB 9 to ViTEZ TOV-36 text inserter.
8. Turn on ECR's power.
9. TX LED should blink briefly and welcome notes should now be printed on monitor connected to TOV-36.

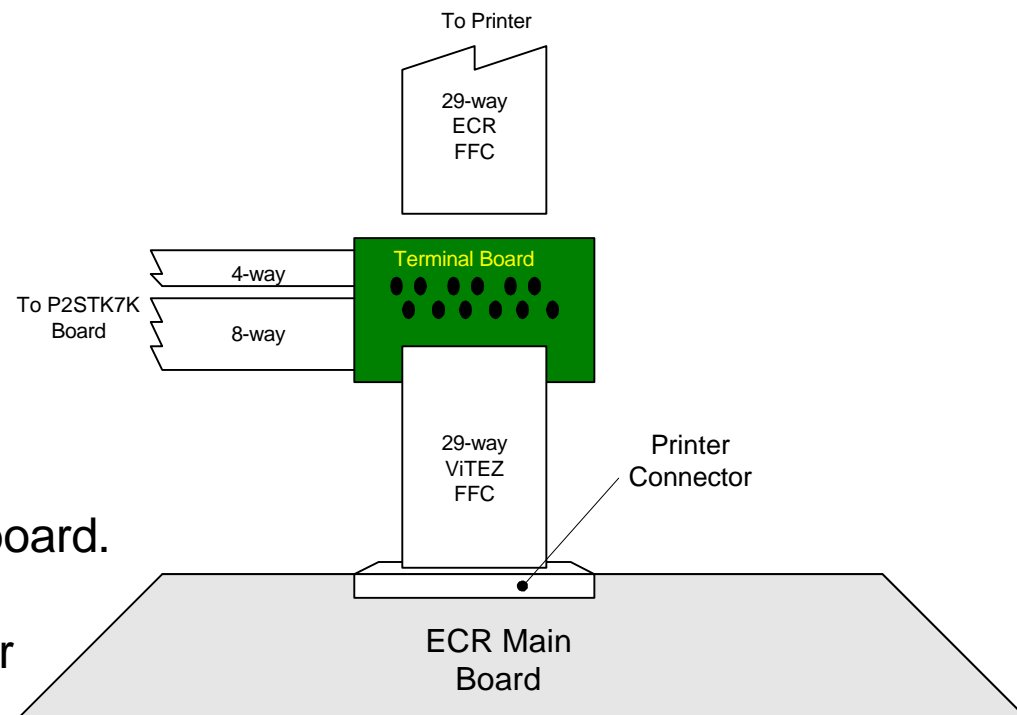


Fig 1: FFC Connection

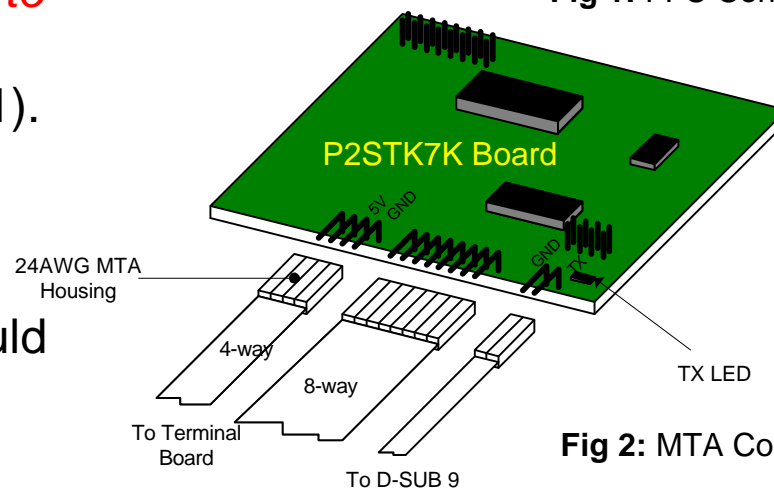


Fig 2: MTA Connection