



www.vitcomm.sg

Telephone Entry System

Audio-Video Intercom and Access Control

REV G Jun 2019

The PE-7000/7100 is an ideal audio-video telephone intercom system with integrated proximity card reader and lift car control capability suitable for residential and commercial applications.

It is designed as an inexpensive alternative to conventional intercom system to reduce overall system cost and enhance system reliability because there are no complex system wirings and much fewer system components.

Unlike other telephone entry systems, the PE-7000/7100 is integrated with IP camera to deliver visitor's images to residents' smartphone similar to traditional audio-video intercom. Furthermore, the internal full-duplex speakerphone provides natural and clear conversation between two parties.



PE-7000: Audio-video call panel with card reader



PE-7100: Audio-video call panel

Key Features

- Full-duplex natural conversation
- Flexible line interfaces: PSTN, Mobile network or SIP trunk
- Support up to 1800 house units with up to three telephone numbers each, or up to 5400 users
- Call Progress Tone detection: useful in determining if a connection is successful or not.
- Line polarity detection: useful in determining if a call is connected or terminated.
- Line voltage monitoring: useful in determining if a line is bad or line is in used.
- Line sharing: single line to multiple VCPs. A benefit to cut down line subscription fee.
- Automatic no-answer call forwarding, auto hang up.
- High-quality backlit keypad
- High contrast OLED 20x4-character display
- Built-in real-time clock and time-stamping of each call event and door event.
- Entry code, proximity card entry and time zone
- Programmable tenant code, talk time and background beep tone
- 2 relay outputs and 2 push-button inputs allow controlling up to 2 independent EM door locks
- Lift car control capability
- Zigbee, Ethernet, RS485, PSTN modem communication interfaces
- PE-Vista Management Software Supported
- Weather resistant and stainless-steel surface

Optional Features / Accessories

- Lift car controller card to enable lift access from remote phone
- Text inserter for overlaying access information, e.g. unit number that the visitor is calling, onto video of security camera to enhance access security

Electrical Specifications

- Power input: 12VDC Input @ 300mA
- Protection: surge protection
- Camera: 1/3" colour CCD
- 12-key backlit keypad and 20-character by 4-line VFD-like LCD

- 2 serial ports and 1 Ethernet port
- Relay dry contact rating: 125V@2A

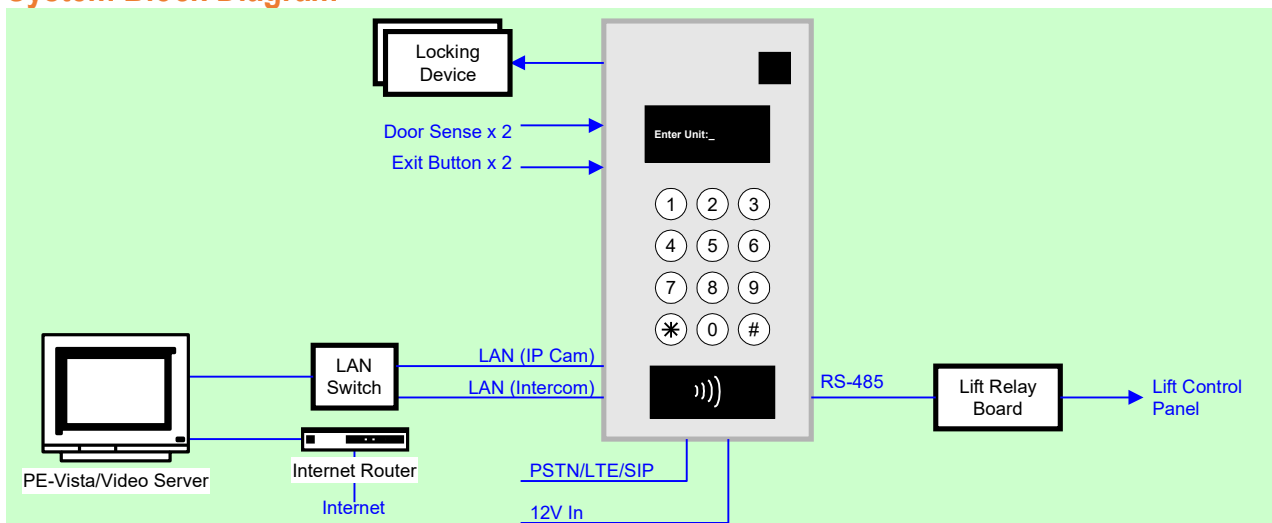
Mechanical Specifications

- Construction: Stainless steel and weather resistant design
- Finishing: Hairline or mirror
- Mounting type: Surface, flush or pedestal
- Front panel mounting: Screwless snap-on mounting
- Dimension: L x W x D: 325mm x 130mm x 60mm
- Overall weight: 2.5Kg

Operating Environment

- Temperature: 0 to 55°C
- Relative Humidity: 5% to 95% non-condensing

System Block Diagram



Specifications are subjected to changes without notification

Also Available



PE-7300: Audio call panel with card reader



PE-7200: Audio call panel



PE-7800: Guard phone